



BDC KU-BAND 1000 SERIES



SPECIFICATIONS

Noise Figure	15 dB max. at room temp.
L.O. Stability	± 30 kHz max.
Phase Noise (SSB) max.	-70 dBc/Hz at 1 kHz -80 dBc/Hz at 10 kHz -95 dBc/Hz at 100 kHz
Input VSWR	1.8 : 1 max.
Output VSWR	2.0 : 1 max.
Gain	20 dB typ., 18 dB min., 22 dB max.
Gain Flatness (over full band)	≤ 4 dB p-p
Output P1dB	+ 5 dBm min.

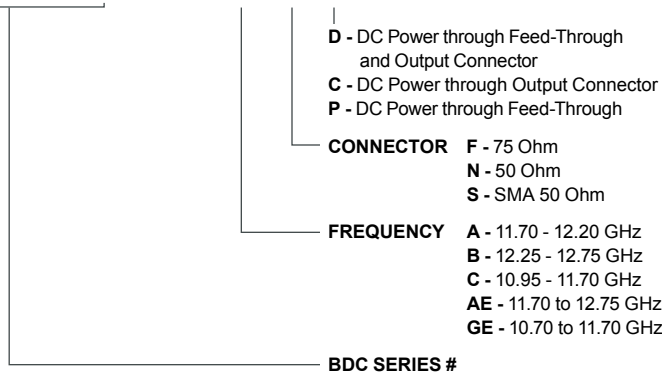
DC Power	+ 15V to + 24V DC
Via	Feed-Through and Output Connector Output Connector Feed-Through
Current	300 mA max.
Input (waterproof)	SMA-Connector (50 Ohm)
Output (waterproof)	F-Connector (75 Ohm) N-Connector (50 Ohm) SMA-Connector (50 Ohm)
Dimensions (L x W x H)	107 mm x 78 mm x 44 mm (4.21 in x 3.07 in x 1.73 in)
Weight	300 g (10.60 oz)
Operating Temperature	- 40 to + 60°C
Storage Temperature	- 40 to + 80°C

FREQUENCY BANDS

	1000A	1000B	1000C	1000AE	1000GE
Frequency Band (GHz)	11.70 - 12.20	12.25 - 12.75	10.95 - 11.70	11.70 - 12.75	10.70 - 11.70
L.O. Frequency (GHz)	10.75	11.30	10.00	10.75	9.75
IF Frequency (MHz)	950 - 1450	950 - 1450	950 - 1700	950 - 2000	950 - 1950

HOW TO ORDER

BDC-1000AND



MECHANICAL DIAGRAM

